

Technical Specifications

DATA	SRM 224	SRM 236	SRM 240	SRM 260	SRM 280
Rated Output (Bottles Per Hour)					
650ml Beer Bottle	4000	6000	10000	18000	25000
250ml Soft Drinks Bottle	7200	12000	15000	21000	30000
Filling Points	24	36	40	60	80
Sealing Elements	8	8	10	12	18
Kind of Sealing	Crown Closure				
Bottling Pressure	Max 6 Kg / cm ²				
Fill Temperature	4°C				
Water	1m ³ /hr				
Installed Power (Kw)	3	3	10	15	20
Air Consumption (m³/hr)	15	15	30	45	60
Weight (Tonne)	4	5	7	9	11
Bottle Dimensions	Ø 50 to 90 mm		Height 150 to 350 mm		

Note :- Due to Continuous improvements, specifications are subject to change without notice.

We also manufacture Bottle Rinsers, Tunnel Pasteurizers and Coolers, Bottle Washers, Premix Carbonators, Crate Washers, Cap Conveyors and Other Bottling Equipments.

**CANADA PURE
FILLERS**

SHIVSU CANADA PURE FILLERS PVT LTD

(An Authority on Packaging Equipments)

Corporate Office : "Shivsu Towers", 149, Poonamallee High Road. Kilpauk, Chennai-600 010.

Tel : +91 - 44 - 2836 2461 to 69, +91 - 44 - 2836 6840 to 44, Fax : 91 - 44 - 2836 2470

After Sales Support : +91 - 44 - 2836 2466 / 67

E-mail: mail@canadapurefillers.com, Website: www.canadapurefillers.com

Automatic Glass Bottle Filler Crowner

**SRM
224 / 236 / 240 / 260 / 280**

German Technology



Super Flow Valve With Vacuum Pre - Evacuation



**Shivsu Canada Pure Fillers Pvt Ltd
Manufacturers of Automatic Glass Bottling Plants
In Joint Venture with
Rita Bottling**



Air containing 21 % oxygen is detrimental to the stability and shelf life of beverages. The percentage of oxygen in the bottled product has to be reduced to a minimum since it is a risk for preservation of the bottled beverage. The vacuum pre-evacuation system ensures removal of oxygen during filling to give a packaged product of international standards.

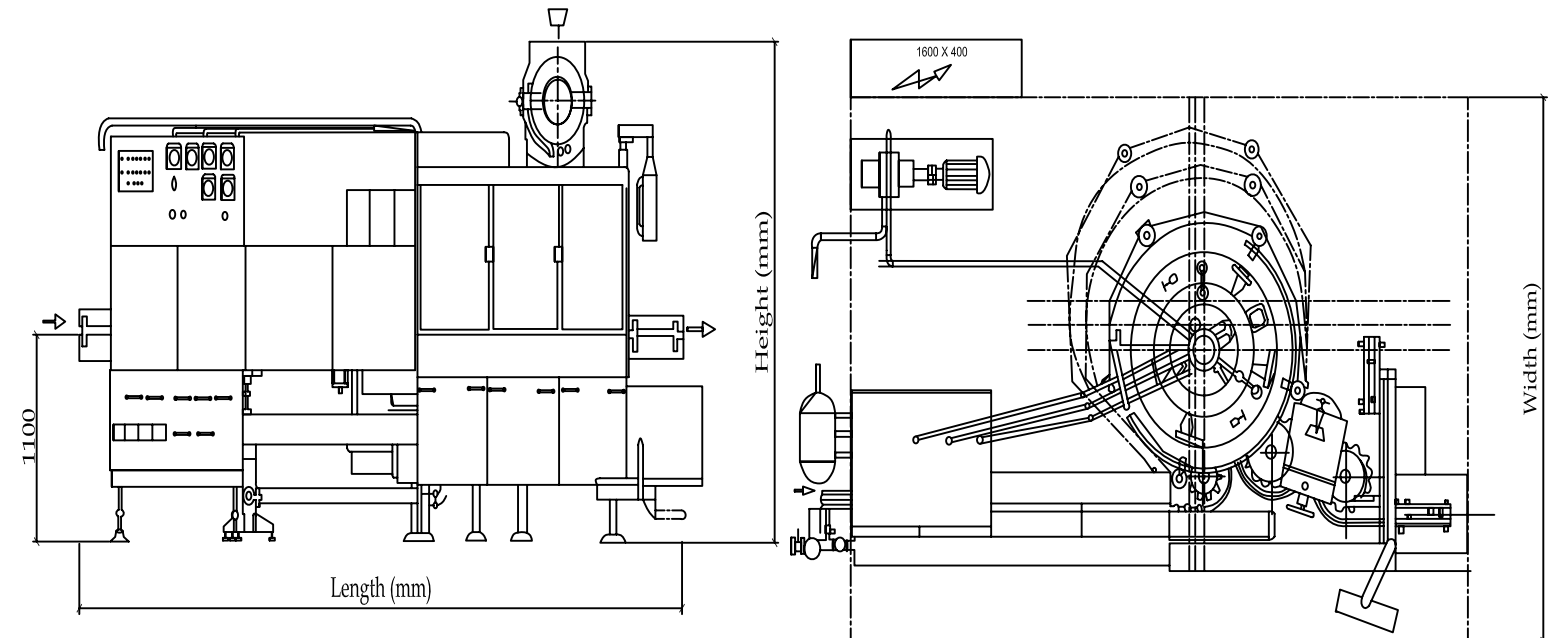
Ideal for bottled beverages such as Beer, Cola, Lemonade and Champagne. These Filling machines incorporate the latest in filling technology for carbonated beverages. The filling valves are designed to pre - vacuate the bottled before filling.

This ensures very low oxygen content in the product as per international standards, and hence high stability and shelf life. The valves are suitable for filling under CO₂ Counter Pressure. While using CO₂ pre-stressing, one-third Air Consumption will be replaced by CO₂.

The equipment has Cleaning in Place (CIP) facility. The equipment has an automatic Central Lubrication System.

The machine has safety cut off switches, Automatic Splinter Spray- off System, Height adjustment of bowl suitable for all bottled size up to 1000ml. These filling machines are designed for accurate level filling without beverages loss.

Machines	SRM 224	SRM 236	SRM 240	SRM 260	SRM 280
Length (mm)	2000	2200	5400	5400	5400
Width (mm)	1800	2000	2300	3500	4500
Height (mm)	2200	2200	2800	2800	2800



Salient Features

- ✦ Vacuum Pre-evacuation of bottles
- ✦ Automatic Central Lubrication
- ✦ Low Sound Level
- ✦ Accurate Level Filling
- ✦ Splinter Spray Off System
- ✦ High Output
- ✦ Easy Cleaning
- ✦ Safety Cut Off Switches
- ✦ Indicators
- ✦ Cleaning in Place System (CIP)
- ✦ No Crown; No Run
- ✦ Electronic Speed Variator
- ✦ Low Maintenance
- ✦ Easy Service



Complete Bottling Line with Crown Caps



Beer



Soft Drinks



Carbonated Liquids

